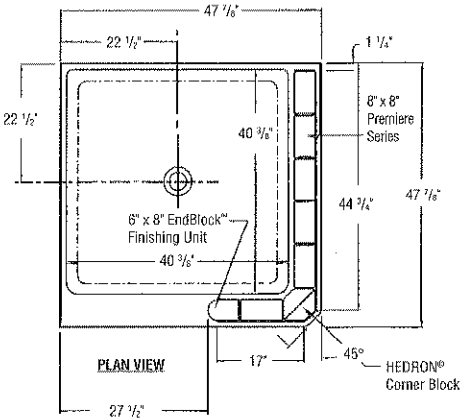
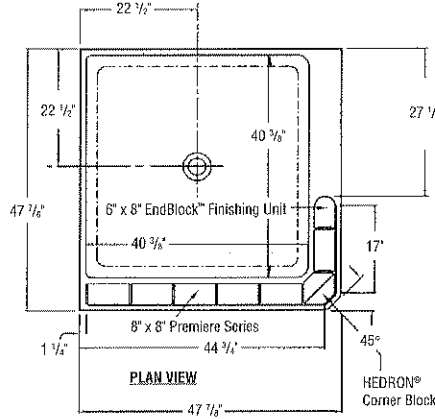


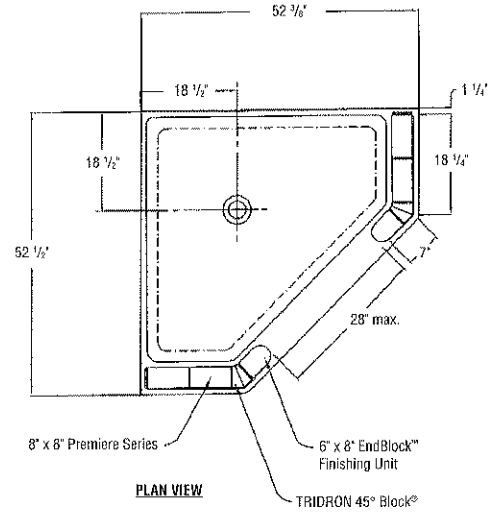
**Pittsburgh Corning Glass Block Shower Systems — Floor Plans**



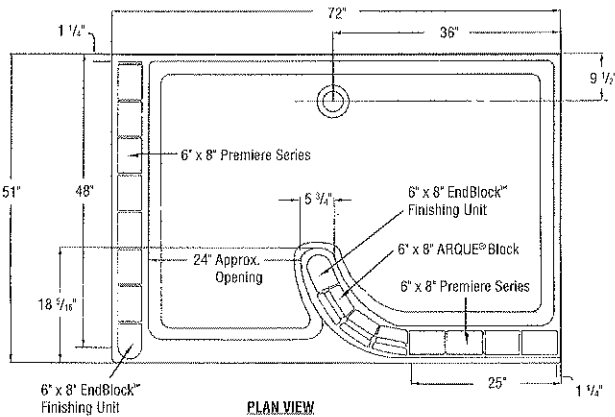
**CLASSIC SHOWER FLOOR PLAN**  
 (installed with entry on left)



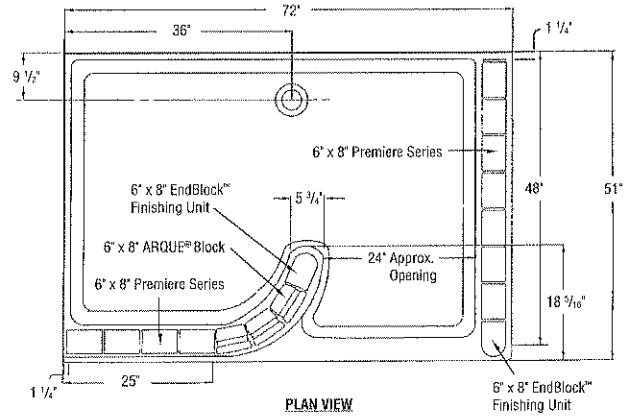
**CLASSIC SHOWER FLOOR PLAN**  
 (installed with entry on right)



**NEO ANGLE SHOWER FLOOR PLAN**



**WALK-IN "LEFT ENTRY" SHOWER FLOOR PLAN**



**WALK-IN "RIGHT ENTRY" SHOWER FLOOR PLAN**