



Glass Block Window Installation Instructions

1. Install sill flashing per Diagram 1. This is a typical suggested method using a 9" width self adhering flexible window wrap. Any other flashing should be installed per manufactures recommendation or per project specifications.
2. Apply a continuous bead of sealant around the window opening perimeter. **Make sure window is right side up and that the weep holes are on the bottom exterior of the frame.** Place window into opening and press nail fin into bead of sealant.
3. Center window in opening and level window. Shim corner of window if necessary. **If shimming is necessary it is important that the entire width of the window is supported at the sill to prevent the frame from warping.**
4. Check jamb for plumb and fasten window in place using 1 1/2" long corrosion resistant screws 3" from each corner and no more than 10" on center in between corners.
5. Apply 9" width flashing wrap over the nail fin on both jambs. Wrap should be 9" above the top of the window and extend below the bottom of the window by 9". See Diagram 3.
6. Apply header flashing strip over nail fin making sure to extend beyond jambs by 9". See Diagram 4
7. In areas where design windload is over 55 psf, the nail fin must be additionally secured with a 1" x 1 1/2" wood blind stop around the entire perimeter. See Diagram 5. Secure with #8 x 2" galvanized screws 3" from each corner and no more than 8" on center in between.
8. Window is ready for any required metal flashing, stucco J-metal, or wood trim.

DIAGRAM 1.

Install sill flashing flush with top of sill framing. Cut so that width of flashing extends beyond jambs by 9".

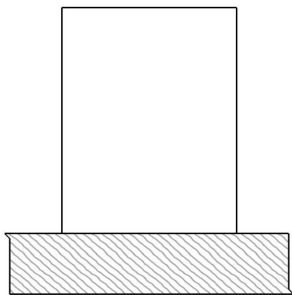


DIAGRAM 2.

Window installed in opening with sill flash behind nail fin.

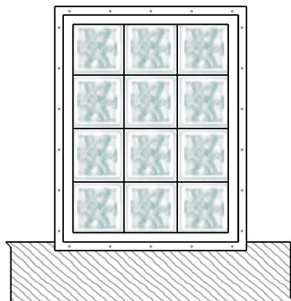


DIAGRAM 3.

Flashing at jambs should cover nail fin completely and extend beyond header and sill by 9".

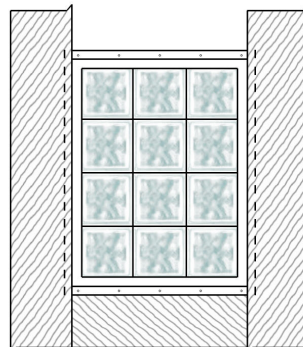


DIAGRAM 4.

Head flashing wrap on top of nail fin should extend past jambs by 9".

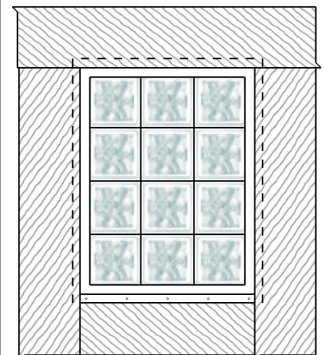
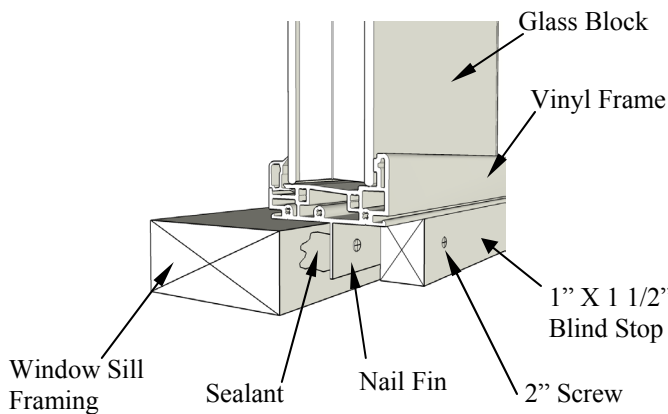
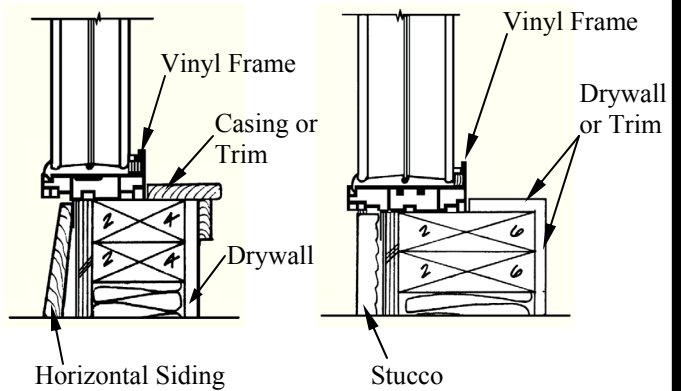


DIAGRAM 5.



TYPICAL FINISH DETAILS



WWW.BLOCK-PRO.COM

800-829-9419